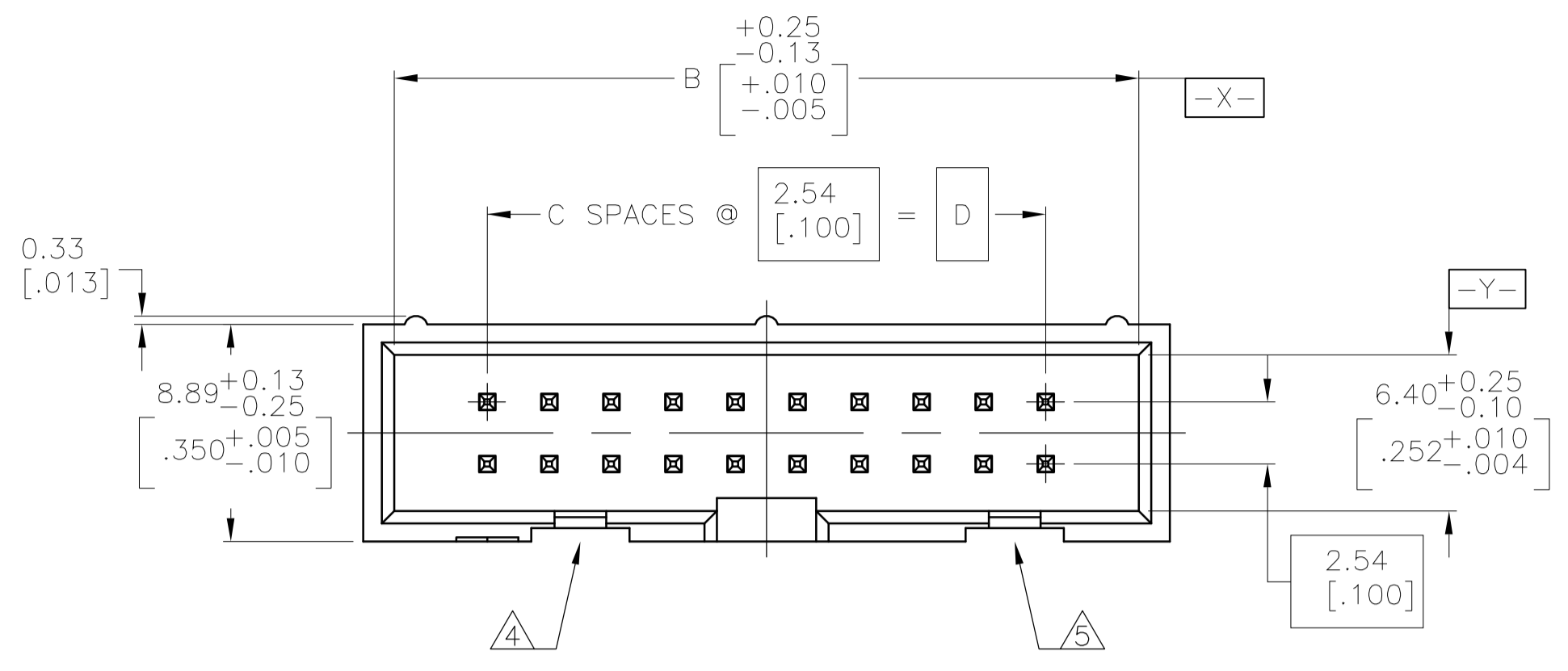
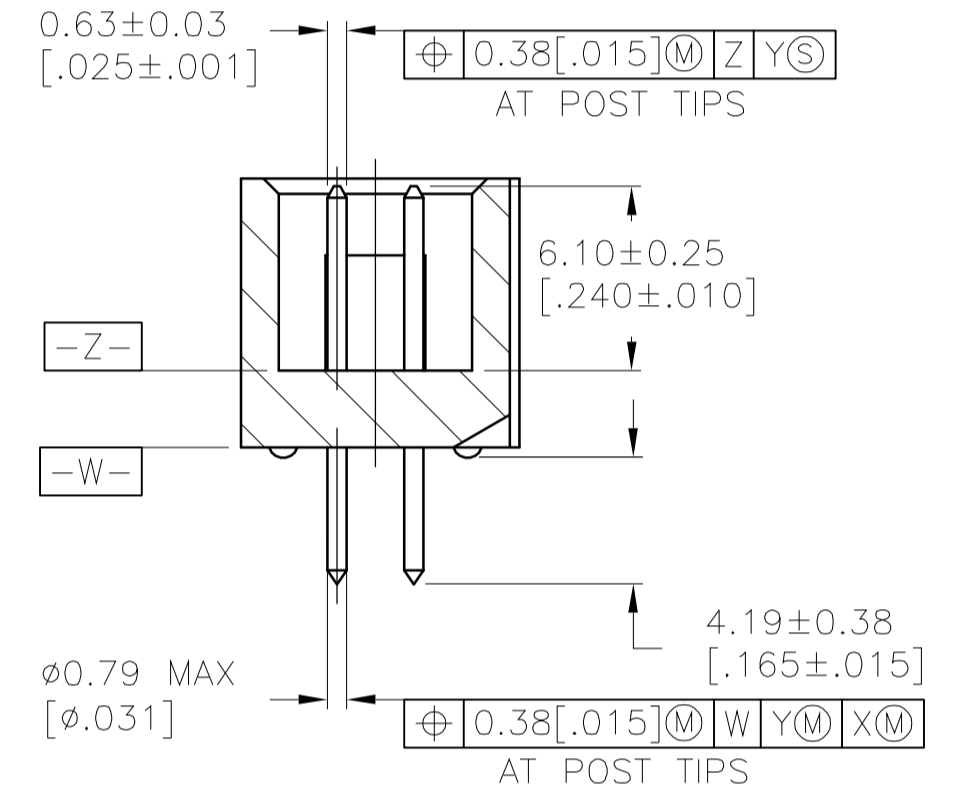
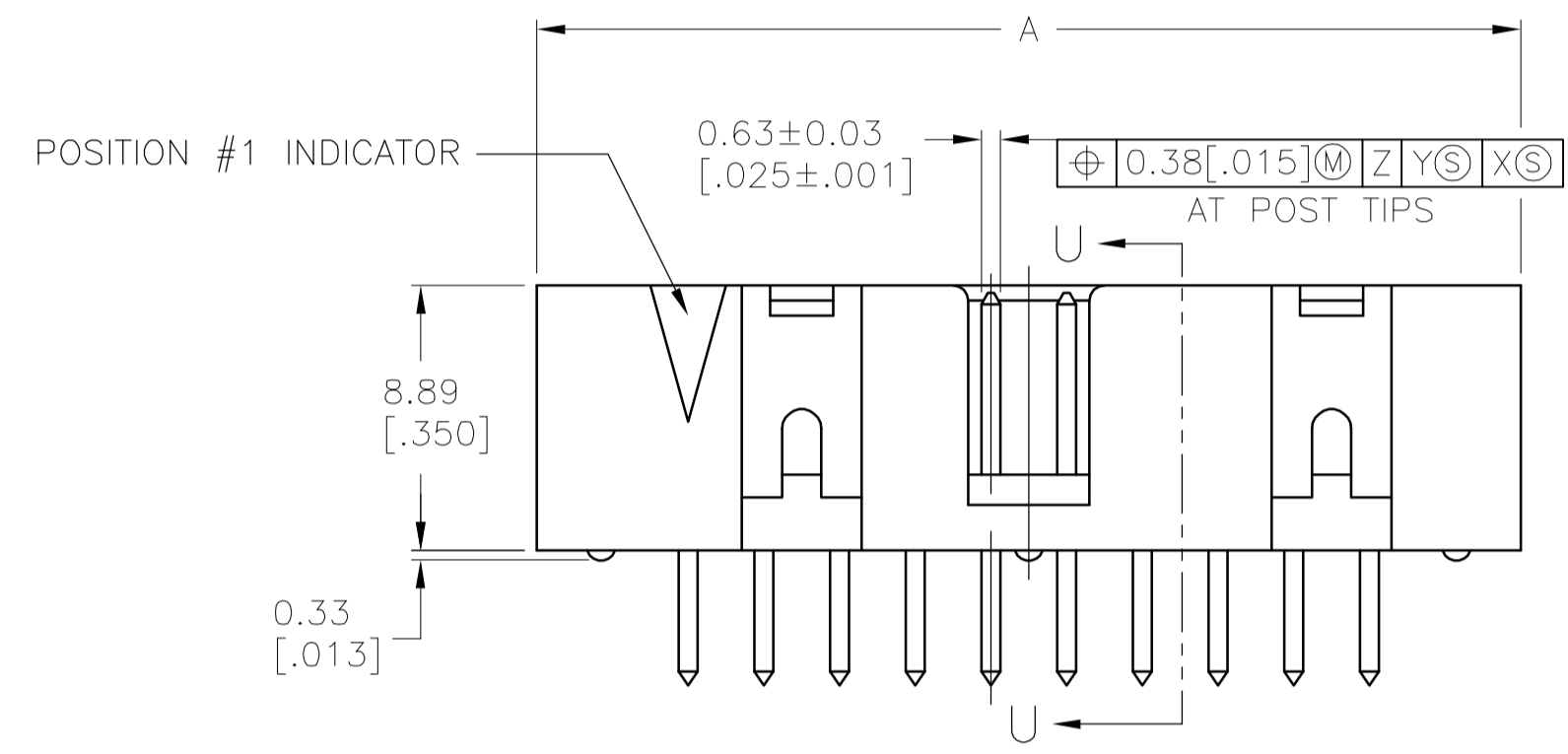


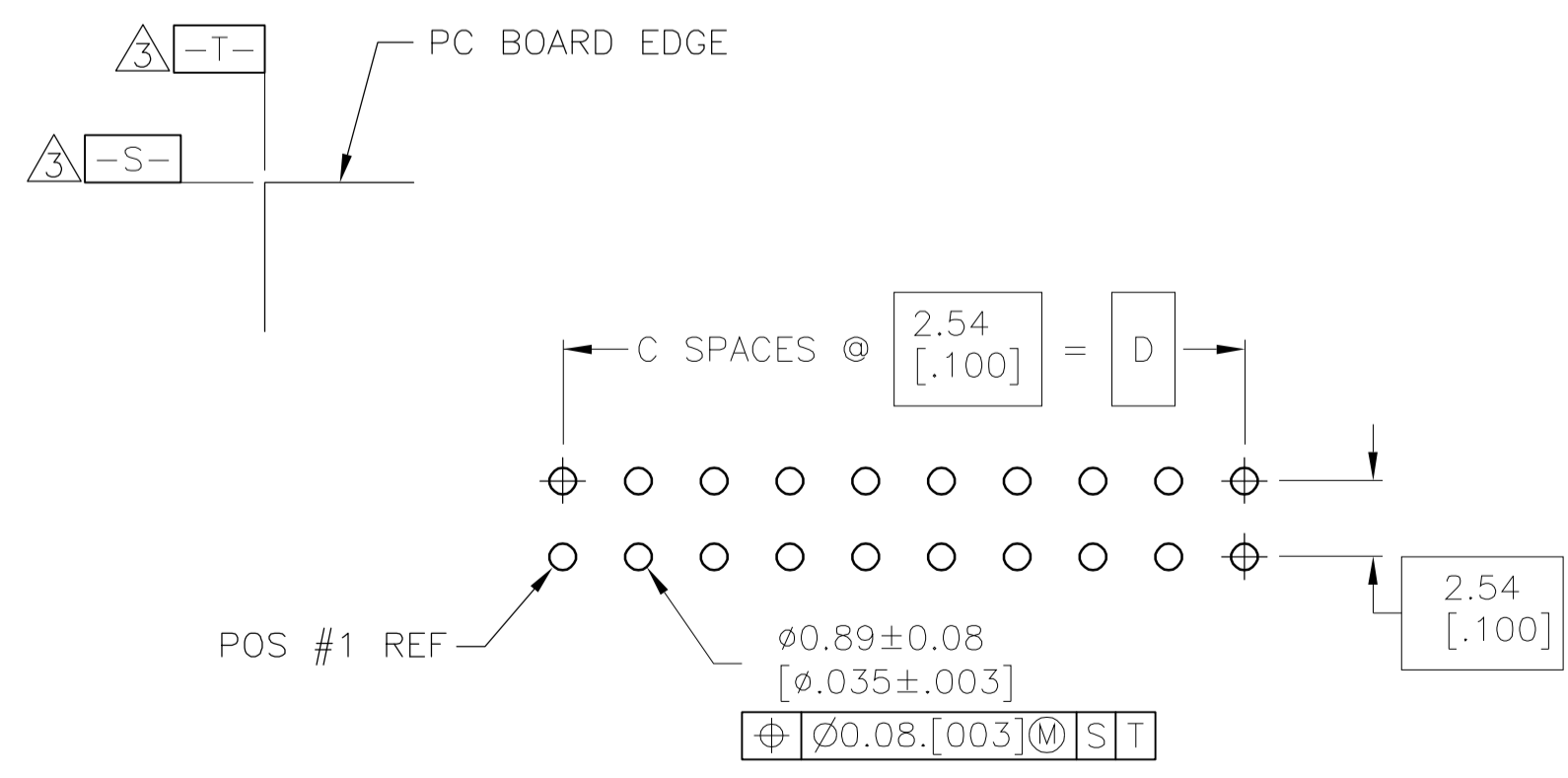
LOC		DIST		REVISIONS				
P	L/R	DESCRIPTION	DATE	BY	APP'D			
B		REVISED PER EC 0512-0210-05	19JUL06	BM	SB			



- ⚠ HOUSING: PBT, UL94V-0, COLOR: (SEE TABLE).
- ⚠ POSTS: PHOSPHOR BRONZE.
- ⚠ POSTS: 0.00076[.000030] MIN GOLD ON MATING AREA, 0.00254[.000100] MIN TIN ON SOLDER END, ALL OVER 0.00127[.000050] MIN NICKEL ON ENTIRE POST.
- ⚠ DATUMS S & T TO BE ESTABLISHED BY CUSTOMER.
- ⚠ NO KEYING SLOT ON THIS END FOR 6, 10 & 14 POSITION ASSEMBLIES.
- ⚠ NO KEYING SLOT ON THIS END FOR 6 & 10 POSITION ASSEMBLIES.



SECTION U-U



RECOMMENDED PC BOARD LAYOUT  
(VIEWED FROM CONNECTOR SIDE)

HOUSING COLOR	D	C	B	A	NO OF POS	PART NUMBER
OBSOLETE	73.66 [2.900]	29	81.28 [3.200]	83.82 [3.300]	60	3-1761679-6
OBSOLETE	60.96 [2.400]	24	68.58 [2.700]	71.12 [2.800]	50	3-1761679-5
OBSOLETE	48.26 [1.900]	19	55.88 [2.200]	58.42 [2.300]	40	3-1761679-3
OBSOLETE	43.18 [1.700]	17	50.80 [2.000]	53.34 [2.100]	36	3-1761679-2
OBSOLETE	40.64 [1.600]	16	48.26 [1.900]	50.80 [2.000]	34	3-1761679-1
OBSOLETE	30.48 [1.200]	12	38.10 [1.500]	40.64 [1.600]	26	2-1761679-9
OBSOLETE	27.94 [1.100]	11	35.56 [1.400]	38.10 [1.500]	24	2-1761679-8
OBSOLETE	22.86 [0.900]	9	30.48 [1.200]	33.02 [1.300]	20	2-1761679-7
OBSOLETE	17.78 [0.700]	7	25.40 [1.000]	27.94 [1.100]	16	2-1761679-6
OBSOLETE	15.24 [0.600]	6	22.86 [0.900]	25.40 [1.000]	14	2-1761679-5
OBSOLETE	10.16 [0.400]	4	17.78 [0.700]	20.32 [0.800]	10	2-1761679-3
OBSOLETE	5.08 [0.200]	2	12.70 [0.500]	15.24 [0.600]	6	2-1761679-1
BLACK	30.48 [1.200]	12	38.10 [1.500]	40.64 [1.600]	26	1761679-9
BLACK	10.16 [0.400]	4	17.78 [0.700]	20.32 [0.800]	10	1761679-3

THIS DRAWING IS A CONTROLLED DOCUMENT.

DIMENSIONS: mm  
 TOLERANCES UNLESS OTHERWISE SPECIFIED:  
 0 PLC ± -  
 1 PLC ± -  
 2 PLC ± -  
 3 PLC ± 0.13[.005]  
 4 PLC ± -  
 ANGLES ± -

MATERIAL:   
 FINISH:

DWG: B. CRISAMORE/DIT 23MAY05  
 CHK: S. BOLASH 23MAY05  
 APD: M. WALMSLEY 23MAY05  
 NAME: M. WALMSLEY  
 PRODUCT SPEC:   
 APPLICATION SPEC:   
 SIZE: A1  
 CAGE CODE: 00779  
 DRAWING NO: 1761679  
 RESTRICTED TO:   
 WEIGHT:   
 CUSTOMER DRAWING:   
 SCALE: 4:1  
 SHEET: 1 of 1  
 REV: B

Tyco Electronics Corporation  
 Harrisburg, Pa 17105-3608  
 Tyco Electronics Corporation  
 Harrisburg, Pa 17105-3608  
 HEADER ASSEMBLY, VERTICAL, LOW PROFILE, IDC